

BENEFITS

- Commercial-quality product
- Fast/easy to install and service
- Conveniently installs externally
- Trouble-free 24V operation
- Powerful quad-lamp technology
- Unequaled UV-C performance
- Lowers coil pressure drop
- Reduces A/C system runtime
- Resolves system cleaning issues
- Improves IAQ
- Destroys mold and bacteria
- Can reduce allergies, colds, and flu
- Solid 1-year warranty

There is an extremely large base of <5-ton HVAC equipment installed in the United States, and the annual growth-rate continues to rise each year. Most of these systems—or their cooling coils—are generally located in inaccessible areas, making maintenance, coil cleaning, and/or their replacement a real challenge.

UV Resources' developed Stinger specifically for these under-served systems. Stinger uses a solid 18 watts of UV power to efficiently destroy surface microbes that grow, migrate, and circulate in HVAC systems. These microbes not only impede system efficiency, but also clog drain pans and contribute to allergies, poor IAQ, and airborne-transmitted disease.

Stinger can correct poor coil performance without dangerous chemicals and helps eliminate drain pan overflows that result in damaged ceiling tiles, carpets, walls, and other equipment. Stinger-equipped systems are clean and odor-free—and they no longer seed the rest of the ductwork or space with mold, bacteria, or their products. Stinger provides a direct, long-term and “green” solution for optimal HVAC performance.

Application

Stinger installs from the exterior of equipment—there is no need to open or compromise a system to install it, or to change its lamp. Stinger is ideal for installation in critical areas and/or where access is limited, such as fan coils, heat pumps, unit ventilators, terminal units, or individual duct runs. Simply create a small opening where it's needed, install it, and soft-wire or connect to its 24V transformer (included) and you're done.

Stinger's state-of-the-art low voltage power supply efficiently powers it for most any application. The lamp and lamp socket are water-resistant and the fixture's low voltage requirement means no code issues and less danger from shock or fire. The Stinger is safe, simple, affordable, and easy to install—just right for today's applications.

REPRESENTED BY:

UVR

UV RESOURCES

Corporate Office

P.O. Box 800370

Santa Clarita, CA 91380-0370

Phone 877.884.4822

Fax 877.794.1294

Website www.UVRresources.com

SPECIFICATIONS

Stinger fixtures are factory assembled and tested. They consist of a mounting base, gasket, power supply, power socket, lamp socket, lamp, and high spectral reflector.

MOUNTING BASE – The mounting base and gasket are constructed of reinforced high-performance plastic for structural integrity and long life equipped with an integral neoprene gasket to ensure a safe and leak-proof installation. They are mounted outside the airstream with the lamp to extending into conditioned air. Stinger's unique, integral "water dam" prevents water incursion into, or past the fixture when the lamp is mounted vertically.

POWER SUPPLY – The power supply is a 24V, high-power factor, Class P, Sound Rated A, Type 1 outdoor type with inherent thermal and end-of-lamp-life protection. Its design maximizes lamp performance over its life in air of 1–70° C, 100% RH, and most any velocity. It incorporates a patent-pending safety "slide-lock" constrained by a convenient twist-on 24V power socket that when combined, facilitate the prevention of UV-C exposure.

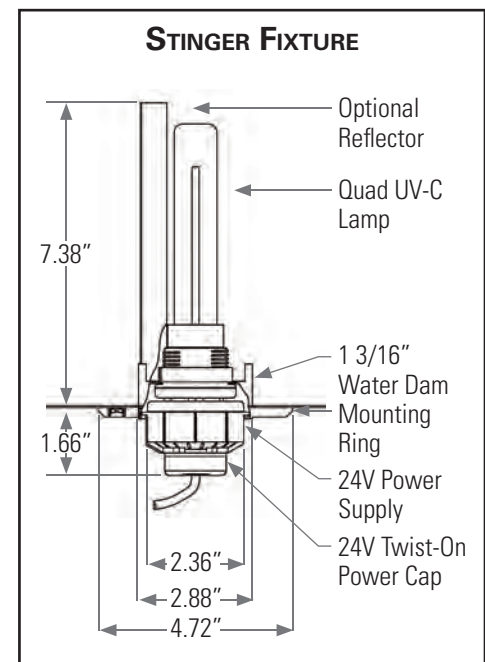
POWER SOCKET – The power socket utilizes a twist-on GU24 style connector for quick and inherently safe connections from soft-wired power or from its exclusive power transformer.

LAMP SOCKET – The lamp socket is a G24-Q4, sure-grip, snap-in style for quick, safe, and secure lamp installation and change-out.

LAMP – The lamp is a high-output, hot cathode, G24-based, 18W quad design that produces broadband 250–260nm UV-C without ozone production. It can produce its specified output at most any air velocity of from 1–70°C.

HIGH SPECTRAL REFLECTOR – The high spectral reflector (optional use) is constructed of aluminum and designed to block and/or reflect 160° of radiated UV-C energy from any user-selected direction.

Independent testing is in accordance with all known safety requirements of Underwriters Laboratories.



ORDERING INFORMATION

Model #	P/N	Description	Electrical	Weight
FIXTURING				
SEF-Q-SO-24V-1	57303151	Stinger 24 Vac Fan Coil Fixture (Includes 24V Wall Adapter Installation Kit, Lamp, Duct Board Plate and Reflector)	24V/50–60 Hz	2 Lbs.
SEF-Q-SO-24V-4	57303154	Stinger 24 Vac Van Coil Fixture (Includes 24V Wall Adapter Installation Kit, Lamp, Duct Board Plate and Reflector) 4-Pack	24V/50–60 Hz	8 Lbs.
REPLACEMENT LAMPS & ACCESSORIES				
SEF-Q-RL-SO-4	57013154	Stinger Replacement Lamp (4-Pack)		2.0 Lbs.
24V-HW-1	90004939	24V Hard Wire Step-Down (120/240 to 24V)	Input: 120–240 VAC ~0.6A 50/60 Hz Output: 24V–1.1A	0.5 Lb.
UVR-HS	90001869	GoSaw™ 2 7/8-inch Hole Saw		0.5 Lb.

The health aspects associated with the use of this product and its ability to aid in the disinfection of environmental air have not been investigated by UL.

*UL and CUL Listed components; product pending

Specifications subject to change without notice.

© UV Resources 2005–2014 57000081 Rev D

The UVR website contains tools that let you select, specify, and/or purchase complete UV-C systems. You'll also find valuable content that will help simplify installation, operation, and maintenance of UV-C systems. For more information, go to www.uvrresources.com