

CANISTER



ATTENZIONE! PERICOLO MATERIALE CONTAMINATO. LA SOSTITUZIONE DEL FILTRO È CONSENTITA SOLO ED ESCLUSIVAMENTE SOTTO SACCO BARRIERA CON RICAMBI ORIGINALI.
WARNING! DANGER CONTAMINATED MATERIAL. FILTER REPLACEMENT ALLOWED ONLY USING THE ORIGINAL SPARE PARTS AND SAFETY BAG.

MESSA IN SERVIZIO (per dettagli vedi manuale uso e manutenzione)
 TO START THE EQUIPMENT (see maintenance manual for details)

SagiCofim
 EcoEfficiency for Indoor Air Quality

CONTENITORE FILTRO N.B.C. N.B.C. FILTER HOUSING

CODICE PRODOTTO / CODE: _____
 ANNO DI PROD. / MANUFACT. YEAR: _____
 MATRICOLA / PIN: _____
 MODELLO FILTRO / FILTER TYPE: _____

Duct holding systems for safely replacing high efficiency, HEPA, ULPA or activated carbon filters. The system guarantees the maximum tightness class owing to the double-lip flanges, gaskets and continuous welding.

The mechanical resistance of the housing to air pressure is +/- 5 kPa according to ANSI-ASME 510-1980.

Class 2 air tightness, according to ISO 10648-2. The exhausted filters are handled during replacement using barrier bags with built-in fastening ring and sleeve.

No tools are needed for maintenance because the four screw-on grips make this operation safe and simple, even when wearing protective gloves.

The internal centring and tightening devices prevent incorrect filter installation.

MATERIAL AND FINISH

- Steel structure painted with decontaminable paint, RAL 9002 white
- Maintenance access door gasket in a single piece

APPLICATION

- Used in the ducts for exhausting of contaminated air in industrial environment, in laboratories, in process applications and in the hospital sector

VERSIONS

- AISI 304 stainless steel
- AISI 316 L stainless steel
- ATEX II 2 GD T6 version:
 - RAL 7021 painted, with stainless steel grille and wall
 - all made of stainless steel
- Reinforced for air tightness in high pressure plants
- CAN P suitable for 48 mm prefilters

ACCESSORIES

- Upstream/downstream probes for integral leak test
- Upstream probe and downstream mobile sensor for local leak test
- Pressure drop reading panel complete with interceptor valves and manometers:
 - DW1 for single filtration stage
 - DW2 for double filtration stage
- PP pressure probes
- Vacuum breaker unit
- GTA010EN tight interception dampers in class 4C according to EN 1751
- Air inlet/outlet collectors
- Spare barrier bag
- CANWELD heatsealing sealer

Sampling port for tightness testing

Manual multipoint probe to scan the entire filter surface. Compared to the simple global efficiency check, it offers high resolution and greater precision in finding any leaks through the single filtration stage.

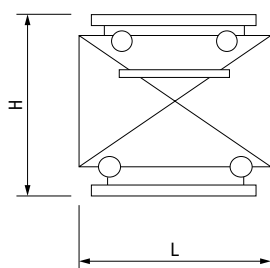
DIMENSIONS CAN BAG COMPLETE WITH RING

Bag Code	Dimensions [mm]	CAN BAG
		€
CAN BAG 31/52	720 x 2000	
CAN BAG 3/42	600 x 2000	
CAN BAG 4	860 x 2000	
CAN BAG 5	1020 x 2000	

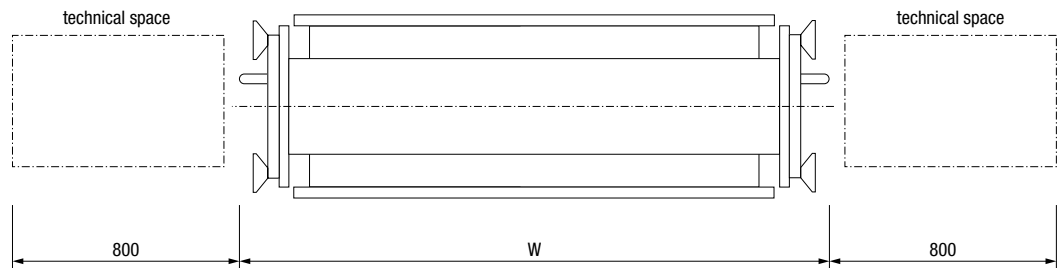
DIMENSIONS

Code	Dimensions [mm]			Weight [Kg]	CAN €	Filter dimensions [mm]		
	L	H	W			L	W	H
3	449	431	505			305	305	149
31	449	573	505			305	305	292
42	449	431	810	32		305	610	150
4	754	431	810	68		610	610	150
52	446	573	810	36		305	610	292
5 / 52	754	573	505	40		305	610	292
5	754	573	810	45		610	610	292
4 BF	754	431	1620	68		610	610	150 x 2 pcs
5 BF	754	573	1620	85		610	610	292 x 2 pcs

ONE FRONT VERSION



DOUBLE SIDE (BF) version



CANISTER SYSTEMS

1 CANISTER BANK =
Assembly of filtration STAGES



BANK

It is a set of different types of filters mounted in series having different efficiency classes. The filtration stages for each bank depend on the contaminants contained in the extracted air.

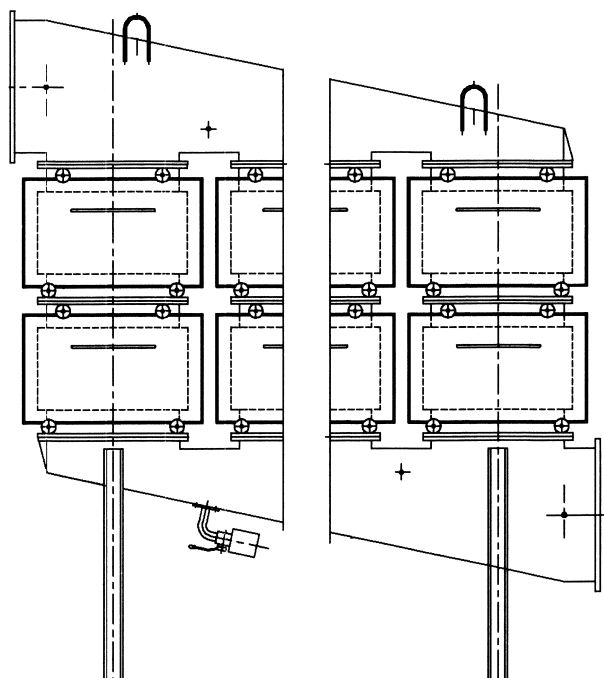
1 CANISTER SYSTEM =
Assembly of filtration BANKS



SYSTEM

It is a set of banks arranged in parallel with each other. The number of banks depends on the total ejected air flow. As a general rule, air flows being equal, a system containing activated carbon filters will need a larger number of banks due to the limited air flow of the filters.

Collector pairs



The broad size of the Canister system can easily be calculated as follows:

1. Determine the number and type of filtration stages needed to form each bank (e.g. high efficiency prefilter + activated carbon filter + HEPA filter).
2. Divide the total flow rate by the unit bank flow rate (corresponding to the unit flow rate of the filter to install considering the filter with lowest flow rate) to get the number of banks and then determine the size of the collectors. If there are activated carbon filters, the flow rate of the single bank must be based on the operating flow rate of these filters.
3. Use the table "Collectors dimensions and weights" (provided on the next page) to get the broad size measurements of the system.
4. Use the chart to get the height of the bank, the width of the system and the free space required for maintenance operations.

CANISTER SYSTEMS

COLLECTORS DIMENSIONS AND WEIGHTS FOR: BANKS WITH CARBON FILTERS

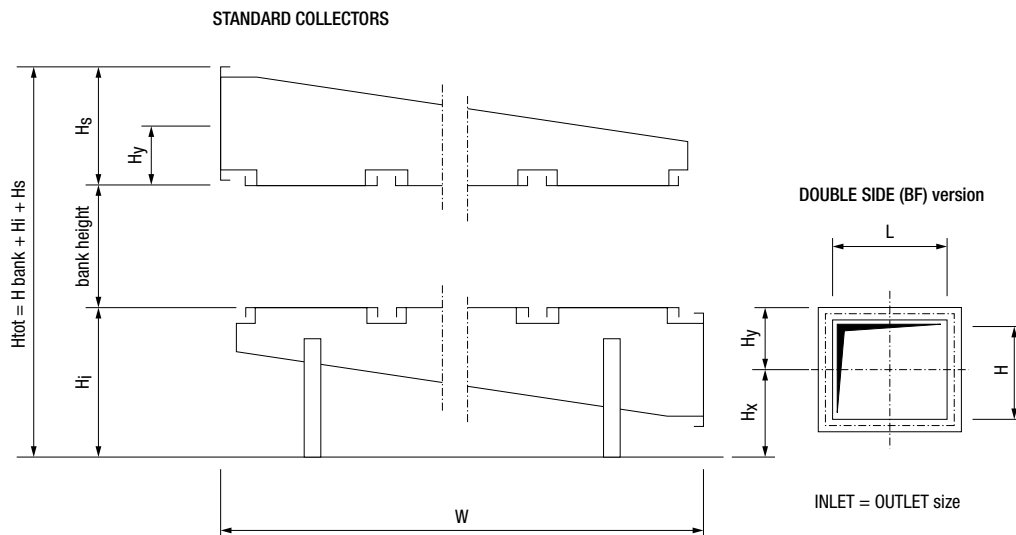
	Q.ty banks	Dimensions [mm]							Weight [Kg]
		L	H	H _x	H _y	H _i	H _s	W	
One front version	1	558	254	280	180	460	350	865	---
	2	558	254	280	180	460	350	1670	120
	3	558	406	350	255	605	500	2475	180
	4	558	558	430	335	765	655	3280	270
	5	558	558	430	335	765	655	4085	320
Double side version	1	1186	254	280	180	460	350	865	---
	2	1186	254	280	180	460	350	1670	250
	3	1186	406	350	255	605	500	2475	370
	4	1186	558	430	335	765	655	3280	530
	5	1186	558	430	335	765	655	4085	630

BANKS WITHOUT CARBON FILTERS

	Q.ty banks	Dimensions [mm]							Weight [Kg]
		L	H	H _x	H _y	H _i	H _s	W	
One front version	1	558	558	420	335	755	655	865	90
	2	558	558	420	335	755	655	1670	170
	3	558	800	540	455	955	900	2475	250
	4	558	1000	640	555	1195	1100	3280	300
	5	558	1200	740	655	1395	1300	4085	500
Double side version	1	1186	558	420	335	755	655	865	130
	2	1186	558	420	335	755	655	1670	230
	3	1186	800	540	455	995	900	2475	360
	4	1186	1000	640	555	1195	1100	3280	520
	5	1186	1200	750	655	1395	1300	4085	680

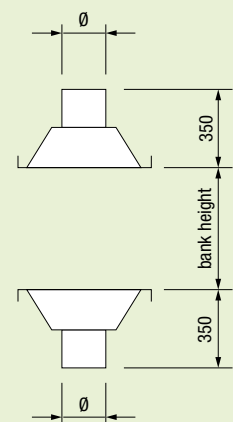
Dimensions refer to housings for 610 x 610 mm filters

BANK AND SYSTEM DIMENSIONING TABLES



COLLECTOR FOR SINGLE BANK

The rectangular to circular connections with a diameter based on the flow rate are used for the single canister bank (see drawing).

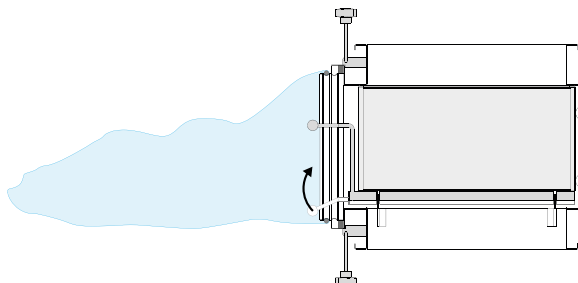


rectangular to circular connections for 1 bank

CANISTER SYSTEMS

FIRST SUPPLY FILTER INSTALLATION DIAGRAM

1. First supply filter installation



2. Canister closing

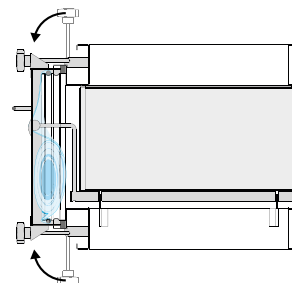
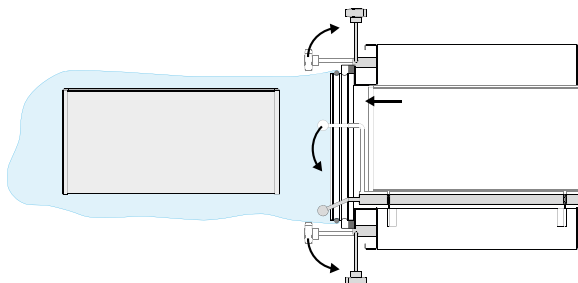
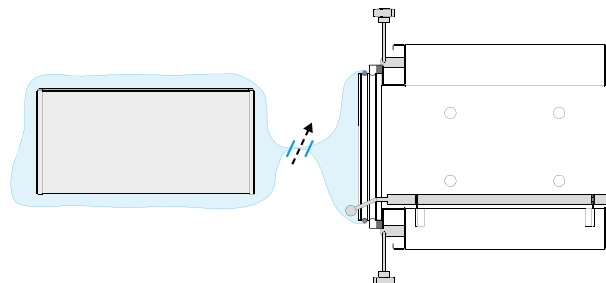


DIAGRAM FOR REPLACING FILTERS WITH BAG/IN - BAG/OUT PROCEDURE

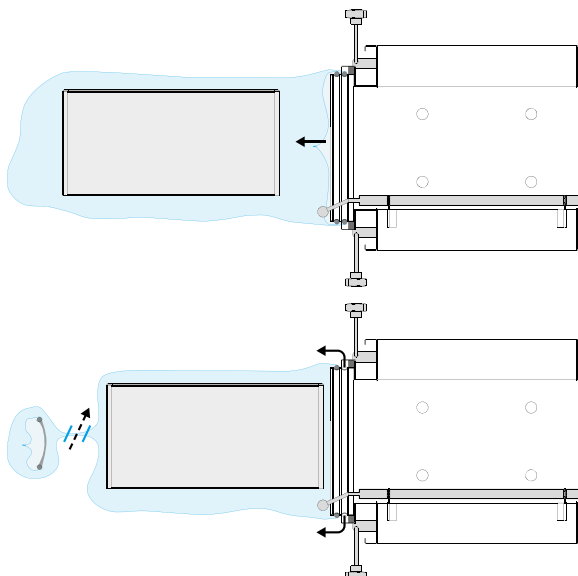
3. Filter replacement



4. Bag sealing procedure



5. Removing the residues of the old bag



6. Inserting the filter. Canister closing

